

Read Instructions Carefully Before Operating

Take special care on safety prompts in these instructions so as to avoid injury to yourself, other people and objects.

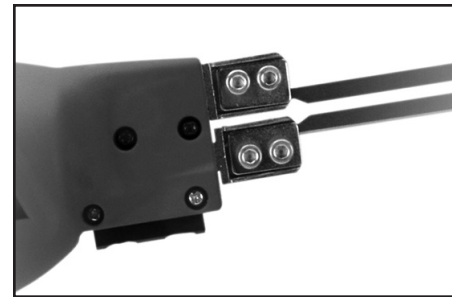
Please follow the guidelines in these instructions to avoid damage to the tool.

INTRODUCTION

The **CARVE360** is the first cordless professional grade hot knife tool for foam. The **CARVE360** heats up in seconds and gives the operator temperature control. Never before has working with foam been this easy, inexpensive and free of mess.

RECOMMENDED USE

Expanded Polystyrene (EPS), Extruded Polystyrene (XPS), Polyethylene, Cross-Linked Polyethylene and many other foam materials can be easily cut with the **CARVE360 Cordless Hot Knife**. Check with foam manufacturers for safe and proper cutting procedures.



BLADE INSTALLATION

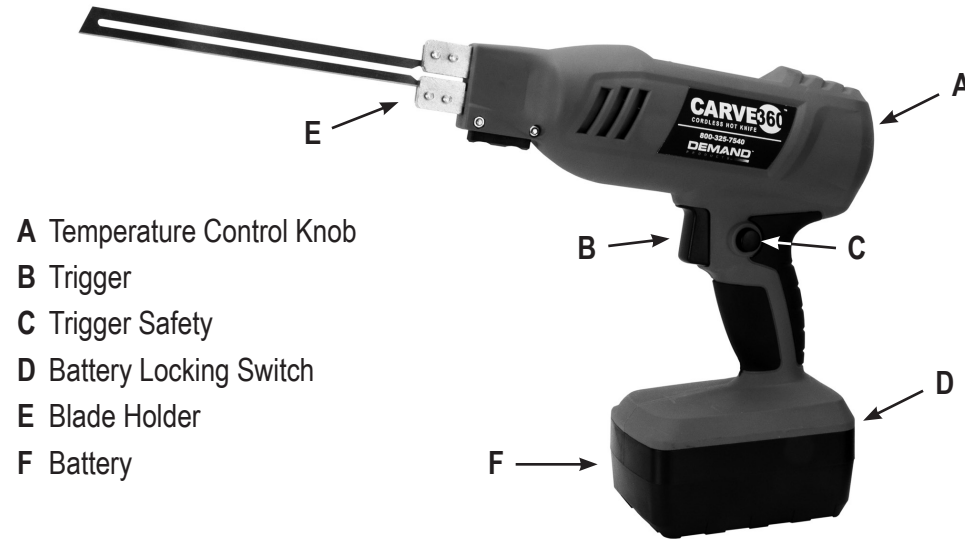
Note: Always release the trigger of the **CARVE360 Cordless Hot Knife** before installing or removing blades. Allow sufficient cooling time for blades, blade holders and mounting screws before handling.

CAUTION: The **CARVE360** blades have a sharpened razor edge, for the cleanest cut always cut in the direction of the sharpened edge.

STRAIGHT BLADE

1. Loosen the screws on the blade holders with the included hex tool.
2. Slide the blade under the square pressure plates until snug.
3. Securely tighten screws to assure the proper electrical connection. *Do Not Over Tighten.*
4. The temperature control knob has 14 click settings that correspond to the graduated ridges on the surface. The smaller the ridge, the lower the power setting.

CAUTION: Excessive power output and heat generation may cause the blade holders to overheat resulting in damage to the unit. Use only the power output for proper cutting. The blade does not need to be red hot to move through foam materials.



- A Temperature Control Knob
- B Trigger
- C Trigger Safety
- D Battery Locking Switch
- E Blade Holder
- F Battery

OPERATION

Set temperature control knob at midrange setting, place the blade against the edge of foam and depress "C" trigger safety then depress trigger "B". Optimum cutting should be virtually smoke free.



Note: For the best results, practice on scrap pieces of foam first.

When cutting foam, it is best to keep the temperature and speed consistent. If smoke develops during the cut, you are cutting too slow or the blade is too hot, which could result in an oversized, uneven cut. This can be remedied by lowering the temperature and intermittently releasing the trigger during

your cut. As cutting resistance increases, depress the trigger again. The **CARVE360 Cordless Hot Knife** will reach the set temperature within seconds. You can accomplish your cut with minimal smoke using this process. Cutting in this manner will also prolong the life of the knife.

Releasing the trigger approximately one or two inches prior to the completion of the cut will help keep the blade clean and free from buildup.

The selected cutting blade should not be more than 3/4" longer than the thickness of your foam board. The foam cools the blade as it cuts. The exposed portion can overheat and cause your blade to warp.

USAGE GUIDELINES

1. Always operate the **CARVE360 Cordless Hot Knife** in well a ventilated environment
2. Never burn off excess residue on the got knife blade. The blades will overheat, warping the blade and potentially overheating the **CARVE360 Cordless Hot Knife**.
3. Only operate the **CARVE360 Cordless Hot Knife** when it is in contact with foam.
4. Keep hot blades away from skin, clothing and other flammable materials.
5. Allow blades to cool before handling. A hot blade can cause injury or burns if not handled correctly.

MAINTENANCE

Constant use of the **CARVE360 Cordless Hot Knife** may result in Polystyrene material build up on the blades and brass holders. This excess polystyrene interferes with the proper electrical and impairs the performance of the blades. The brass blade holders and blades can be thoroughly cleaned using the included wire brush.

SPECIFICATION

INPUT: 36V DC

OUTPUT: 54Wh

INTERMITTENT OPERATION: 15s on / 45s off

WEIGHT: 10 Ounces

LENGTH: 10.25" (260mm)

TEMPERATURE: 662°F (350°C)

USE AND HANDLING OF THE BATTERY TOOLS

- A Only recharge the battery using charging devices supplied by the manufacturer. There is a risk of fire when using a charging device designed for a specific battery type when it is used with other batteries.
- B In the **CARVE360 Cordless Hot Knife**, use only batteries that have been designed for this type use. Using other battery types may lead to fire and injuries.
- C When not using the battery, keep it away from paper clips, coins, keys, nails, screws and other small metallic objects which may cause the contacts to connect. If the battery contacts short-circuit, it may lead to burns or fire.
- D Fluid may leak from the battery if used incorrectly. Avoid contact with that fluid. In the event of accidental contact, rinse the area thoroughly with water. If battery fluid comes in contact with the eyes, seek medical attention immediately. Leaking battery fluid can lead to burns and irritation of the skin.

Continued on reverse page.

USE AND HANDLING OF THE BATTERY TOOLS *Continued*

- E** Do not open battery. This leads to the risk of a short-circuit. Keep battery away from heat (e.g. permanent sun radiation) and from fire due to risk of explosion.
- F** If the battery is damaged or used in an inappropriate manner, vapors may leak from it. Seek fresh air immediately. Seek medical assistance immediately if needed. Vapors can lead to irritation of the respiratory system.
- G** If the battery is defective, fluid may lead from it and coat adjacent objects. Check any affected parts. Clean thoroughly or replace if necessary.
- H** Use the battery only with the CARVE360 Cordless Hot Knife. This is the only way to prevent dangerous overload of the battery.

RECHARGEABLE BATTERY

Nominal Voltage: 36V
Capacity: Li-ion 1.5Ah (10 cells)
Weight: 610g

CHARGING DEVICE

Input Voltage: 100-200V / 50/60 Hz
Output Voltage: 36V
Recharging Time: <70 minutes
Weight: 600g

CHARGING THE BATTERY

Note: *The battery is partially charged on delivery.*

To guarantee full power of the battery, charge completely before first use. Pay attention to the charge indicator on the charging device. The Li-ion battery can be recharged at any time without affecting its fatigue life. Interrupting the charging process doesn't damage the battery.

The battery is equipped with temperature monitoring system which only allows for charging between 32°F and 113°F (0°C and 45°C).

How to Charge Battery:

- 1 Insert charging cord correctly into battery unit.
- 2 Insert the power plug of charger into standard wall socket. Red LED light will illuminate indicating the unit is in CHARGING status. (If the power plug is plugged into wall socket without connecting the battery to charger, the Green LED light will illuminate which indicates STAND-BY status).
- 3 The LED light turns to green when the battery is fully charged. When charging is complete, removed the power plug from the charger and then remove plug from the battery.

BATTERIES

Li-ion: Do not dispose of batteries in household waste. Do not throw batteries into fire or water. Batteries should be collected and recycled or disposed of in an environmentally friendly way.
Only valid for EU countries: According to European regulation 91/157/EWG, defective and used batteries need to be recycled.

ACCESSORIES ASSEMBLY

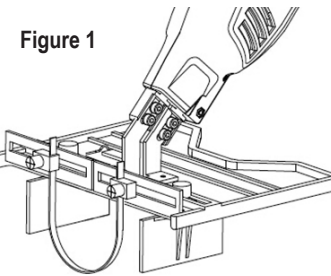


Figure 1

Sled: You can bend flat blade or wire blade with the included crimping tool according to your usage, and assemble as shown in Figure 1.

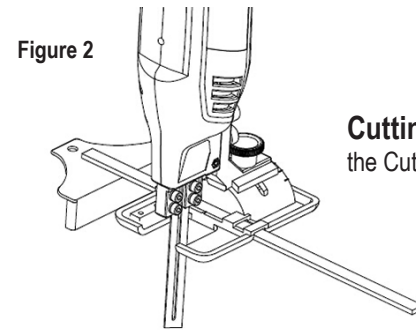


Figure 2

Cutting Guide: You can cut on an angle using the Cutting Guide as shown in Figure 2.

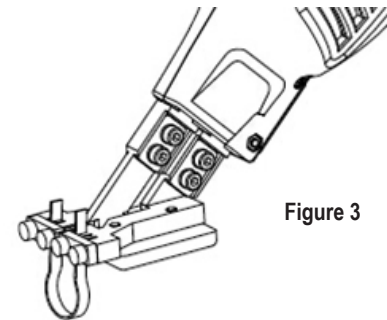


Figure 3

Pipe Groove Adapter: You can bend flat blade or wire blade with the included crimping tool according to your usage, and assemble as shown in Figure 3.

1.800.325.7540
www.demandproducts.com

Demand Products, Inc.
1055 Nine North Drive
Alpharetta, GA 30004

DEMANDTM
P R O D U C T S I N C.



CARVE360TM
CORDLESS HOT KNIFE

USER'S MANUAL

www.demandproducts.com