

Fabric Cutter Hot Knife™

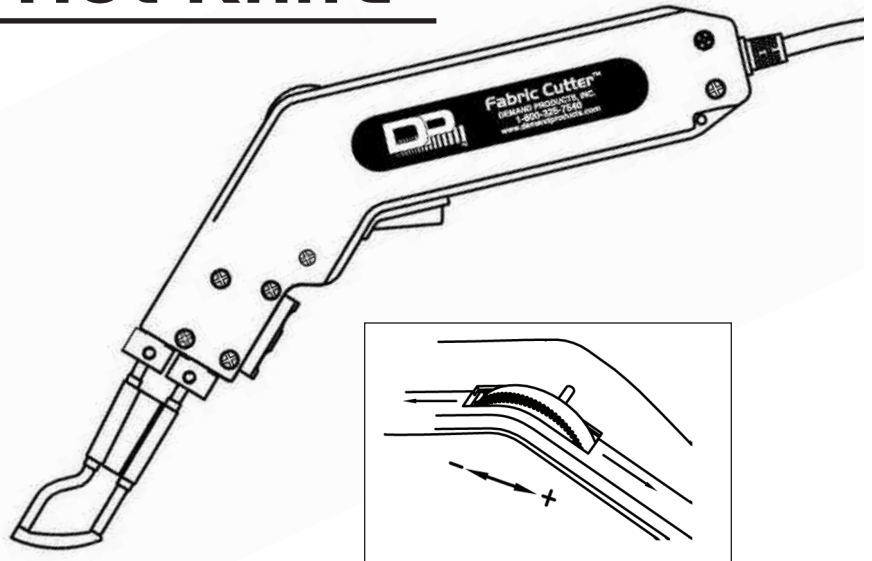
CAUTION

- Please read these instructions carefully before operation.
- Take special care on safety prompts in these instructions so as to avoid injury to yourself, other people and objects.
- Please follow the guidelines in these instructions to avoid damage to the tool.

Recommended Use

For cutting Polyester Fabrics such as Terylene* and Dacron*.

*register trademarks of ICI and Dupont



BLADE INSTALLATION:

NOTE: Always unplug the power cord of the Fabric Cutter Hot Knife before installing or removing the blades. Allow sufficient cooling time for blades, blade holders and mounting screws before handling.

Straight Blade:

1. Loosen the screws on the blade holders with the wrench.
2. Inset the blade into the holes of holders until the legs touch the top of holes.
3. Securely tighten screws to assure the proper electrical connection. Do not over-tighten.
4. Once the blade is firmly in place, plug your Fabric Cutter Hot Knife unit into a standard 120 volt power supply.
5. The temperature control knob has 16 click setting stops that correspond to the graduated ridges on the surface. The smaller the ridge the lower the power setting.



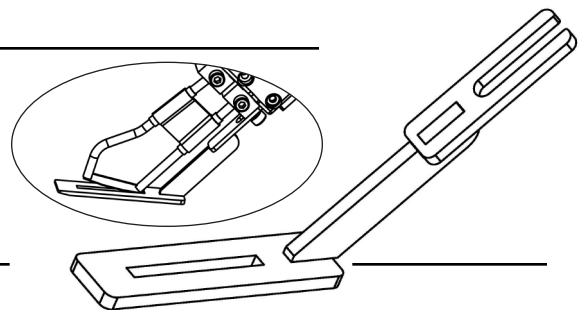
CAUTION:

- The Fabric Cutter Hot Knife blades have a sharpened razor edge. For the cleanest cut, always cut in the direction on the sharpened edge.
- Excessive power output and heat generation may cause the blade holders to overheat resulting in damage to the unit. Use only the power output for proper cutting. The blade does not need to be red hot to move through foamed plastics.

Attachments:

CUTTING FOOT

When used with the foot, synthetic fabric can be cut without using a cutting surface. It is effective when cutting large sizes such as sail cloth or filter cloth.



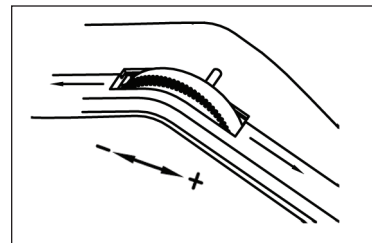
Fabric Cutter Hot Knife™

Operation:

Put your temperature control knob at the midrange setting, place the blade against the edge of the fabric and depress trigger. Optimum cutting should be virtually smoke free.

NOTE: For the best results, practice on scrap pieces of fabric.

When cutting, it is best to keep the temperature and speed consistent. If smoke develops during the cut, you are cutting too slow or the blade is too hot which could result in an oversized, uneven cut. This can be remedied by lowering the temperature and intermittently releasing the trigger during your cut. As the cutting resistance increases, depress the trigger again. Your Fabric Cutter Hot Knife will reach the set temperature within seconds. You can accomplish your cut with minimal smoke by using this process. Cutting in this manner will also prolong the life of the knife.



Releasing the trigger approximately one or two inches prior to the completion of the cut will help keep the blade clean and free from buildup.

Never use a metal bar as a guide. If the blade touches the metal guide the heat from the blade will be dissipated by the metal guide. This will lower the heat of the blade and affect its cutting quality.

Specifications:

Input: 120 Volts
Output: 120 Watts
Weight: 10 Ounces
Length: 10¹/₄ Inches
Width: 2 Inches
Temperature: 600°+

Maintenance:

Constant use of the Fabric Cutter Hot Knife may result in material buildup on blades and the brass holders. This excess material interferes with the proper heating and impairs the performance of the blades. The brass blade holders and blades can be thoroughly cleaned with a wire brush.

Guidelines and Cautions:

- Consult foam manufacturer's MSDS sheet for flash points and toxicity of material you will be cutting.
- Always operate the Fabric Cutter Hot Knife in well ventilated space.
- Never burn off excess residue on the hot knife blade. The blades will overheat, warping the blade and potentially overheating the Fabric Cutter Hot Knife.
- Only operate Fabric Cutter Hot Knife when it is in contact with the fabric.
- Keep hot blades away from skin, clothing and other flammable materials.
- Allow blades to cool before handling. A hot blade may cause injury or burns to exposed surfaces.

Limited Warranty

The Fabric Cutter Hot Knife tool is warranted to be free of defects in material and workmanship under normal use for a period of 6 months from the date of purchase.

Liability is limited to repair or replacement of material found defective, free of charge F.O.B. Atlanta, GA. Unauthorized repairs, modifications, or replacements will not be subject to factory warranty.

Except as contrary to State or Federal laws, Demand Products, Inc. shall not be liable to any party for loss, injury or damage, whether direct, indirect or consequential arising out of or the inability to use the equipment or other products made, repaired or sold by Demand Products, Inc. or any of its distributors.

DEMAND
P R O D U C T S INC.

1055 Nine North Drive / Alpharetta, GA 30004 USA
www.demandproducts.com / 1-800-325-7540