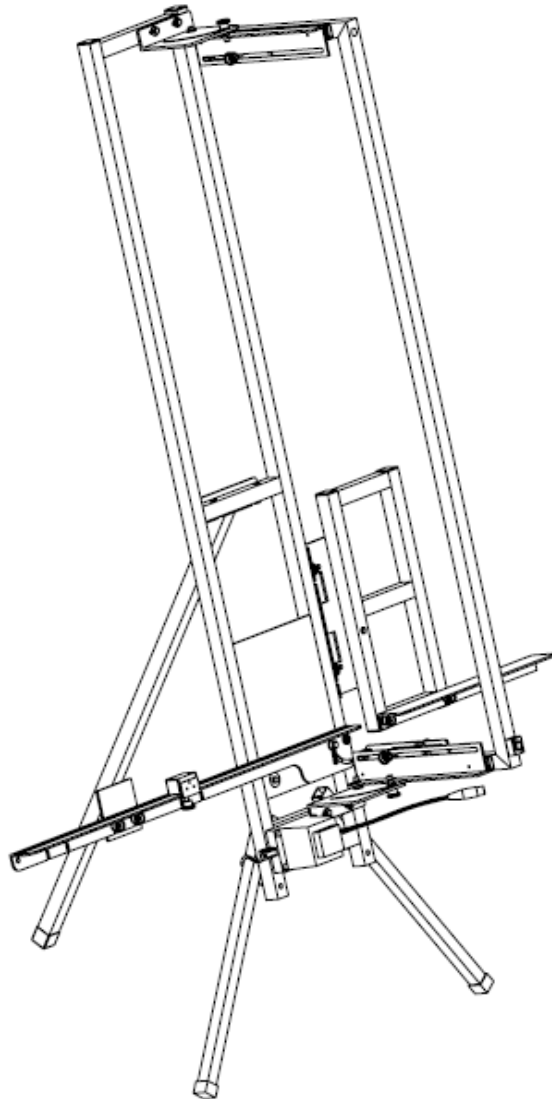


Demand Products, Inc.

# FC13 Field Cut Hot Wire Foam Cutter

Operating instruction



- Please read this instruction carefully before operation
- Take special care on safety prompts in these instructions so as to avoid injury to yourself, other people and objects.
- Please follow the guidelines in these instructions to avoid damage to the tool

**Caution 1:** Use outdoor or in well ventilated space.

**Caution 2:** Don't touch hot wire when working

## Introduction

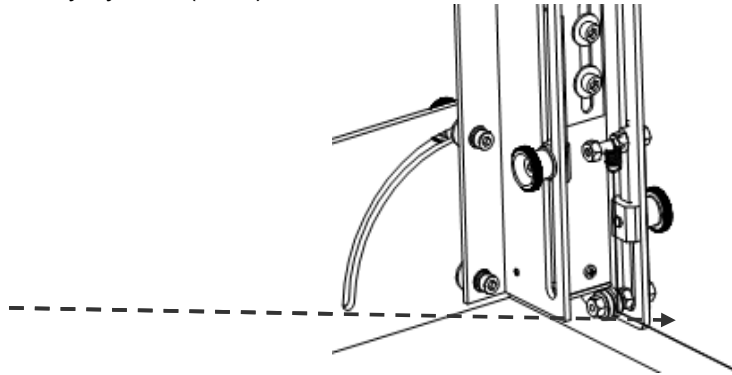
The FC13 Field Cut Hot Wire Cutter is a professional-grade hot cutting machine for foamed plastics. The FC13 Field Cut Hot Wire Cutter heats up in seconds and gives the Button switch.

## Recommended Use

Expanded Polystyrene (EPS), Extruded Polystyrene (XPS), can be easily cut with cutting procedures.

## Wire Installation

NOTE: Always unplug the power



**Caution 1:** Excessive power output and heat generation may cause the damage to the transformer. Use only the power output for proper cutting. The wire does not need to be red hot to move through foam plastics.

Base frame

Guider Ruler (100cm, 0° -90°)

Back & Base support

Transformer

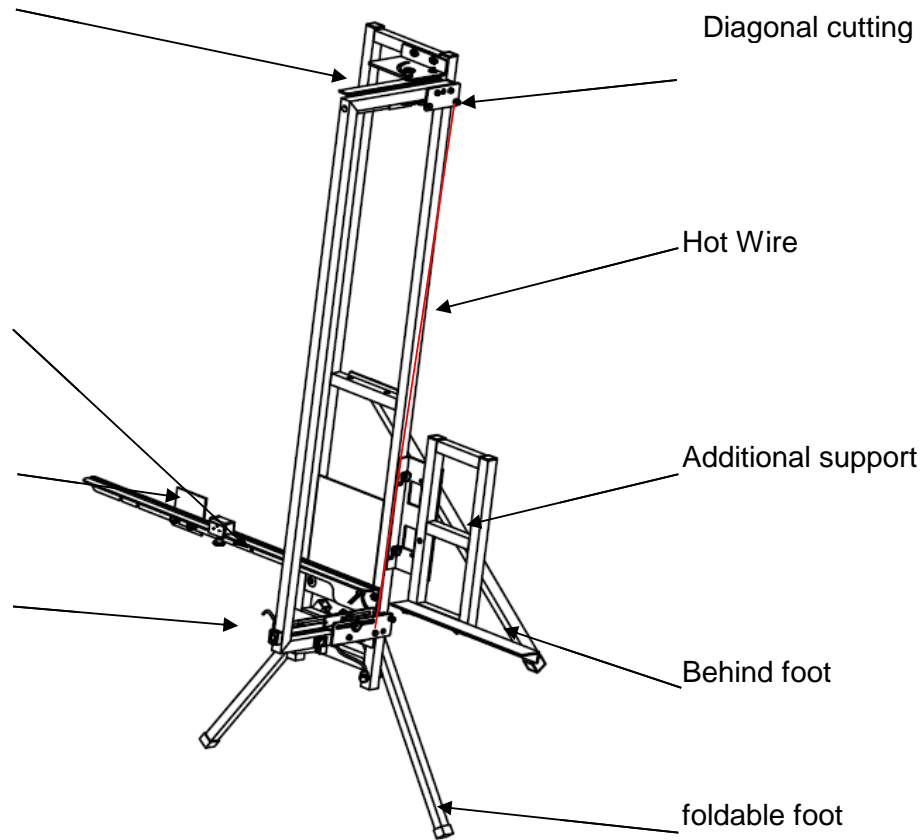
Diagonal cutting

Hot Wire

Additional support

Behind foot

foldable foot



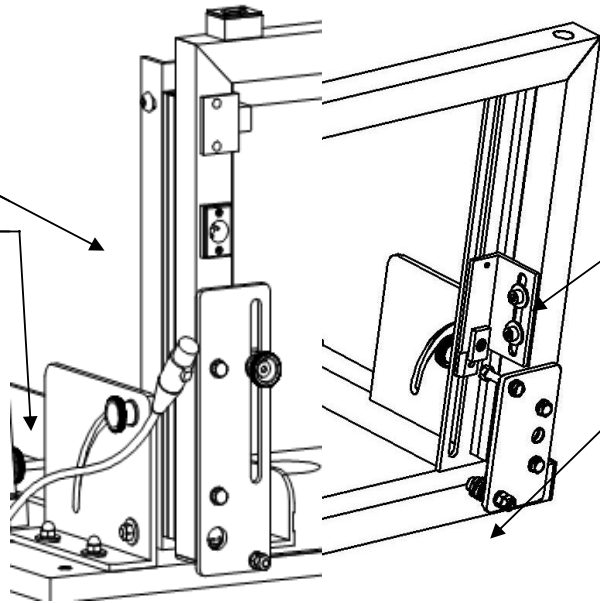
Plug In

Vertical degree  
(0°-75°)

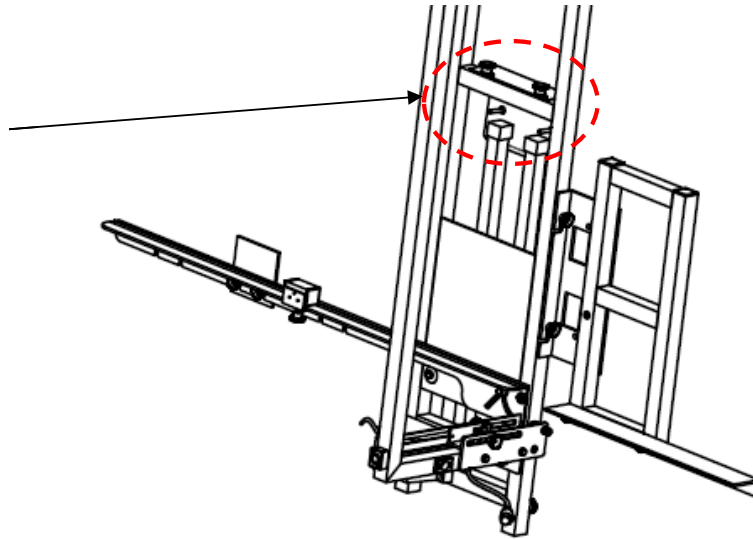
Frame

Limit Block(0-30cm)

Diagonal cutting device

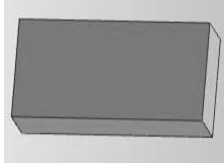


Scaffolding holder



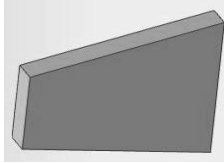
## Shapes to be cut

Rectangle



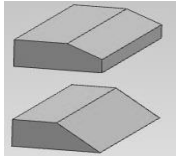
1.Setting

Ladder-shaped  
Triangle



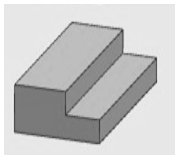
1.Setting

Bevel cut



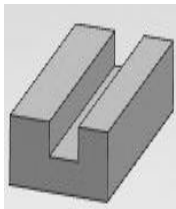
1.Setting

Step cut



1.Setting

Groove cut



1.Setting

## Technical Data

Model Number	FC13 Field Cut-137
Max. Cutting Length	1370mm
Max. Cutting Height	330mm
Guider Ruler	1000mm; 0-90°
Weight	15.6Kg
Size	1650X405X170mm
Transformer	40V/200W/230V
Power Cord Length	2.0M(Transformer to Power Supply); 1M(Transformer to Plug in of Frame)
Intermittent Operation	15s on / 45s off

### — Consider work area environment

- Do not expose tools to rain.
- Do not use tools in damp or wet locations
- Keep work area well lit.
- Do not use tools in the presence of flammable liquids or gases

### — Keep other persons away

- Do not let persons, especially children, not involved in the work touch the tool or the extension cord and keep them away from the work area

### — Store idle tools

- When not in use, tools should be stored in a dry locked-up place, out of reach of children

### — Do not abuse the cord

- Never yank the cord to disconnect it from the socket.  
Keep the cord away from heat, oil and sharp edges.

### — Disconnect tools

- When not in use, before servicing and when changing hot wire, disconnect tools from the power supply.

### — Warning

- The use of any hot wire other than one from Original production may present a risk of machine damaged

### — Please have your tool repaired by a qualified person